



Westinghouse

Leading The Future of Electrification

- A Global Heritage Brand with 130 Years of Product Innovation
- Perfect Products, Creative Services, and Competitive Price

**Since 1886,
Westinghouse
Has Brought
The Best
To Life.**

Westinghouse remains a trusted name globally in consumer and industrial products. Built on a heritage of innovation and entrepreneurial spirit, Westinghouse products were the first to supply the United States with AC electric power, transmit a commercial radio broadcast and capture man's first step on the moon. Today, Westinghouse continues to grow its diverse portfolio with a wide range of product categories that include home appliances, consumer electronics, lighting and power generation.

Moulded Case Circuit Breaker

Full Range of MCCB from 16-800A According to IEC 60947-2

2

Moulded Case Circuit Breakers



			EJ			EK					
Maximum Rated Current (A)			160-250A			315- 400		500- 630			
Breaker Type			ESJ250	EHJ250	ESK400	EHK400	ESK630	EHK630			
Breaker Capacity (kA rms) AC 50-60 Hz											
IEC 947-2	220-240	I_{CU}	65	85	65	85	65	85			
	VAC	I_{CS}	65	85	65	85	65	85			
	380-415	I_{CU}	36	50	36	50	36	50			
	VAC	I_{CS}	36	50	36	50	36	50			
	250	I_{CU}	10	10	10	20	10	20			
	VDC	I_{CS}	5	5	5	10	5	10			
Number of poles			3,4			3,4		3,4			
Ampere Range			160-250A			315-400A		500-630A			
Trip Units			Fixed Thermal - Adjustable Magnetic Adjustable Thermal - Magnetic ^② Electronic trip unit			Adjustable Thermal - Magnetic ^① Electronic trip unit ^③					
Ratings	Fixed		250A			400A		630A			
	Adjustable (20%)		16-250A			315-400A		500-630A			
Calibration Temp.			55°C			55°C		55°C			
Terminations Line			Lug & End Cap			Lug & End Cap		Lug & End Cap			
Load			Cable			Cable		Cable			
Cable Size			25-185mm ²			35-300mm ²		35-300mm ²			
Accessories : Shunt Trip			✓			✓		✓			
Under voltage			✓			✓		✓			
Aux. Contacts			✓			✓		✓			
Trip Alarm Contacts			✓			✓		✓			
Dimensions			H	W	D	H	W	D	H	W	D
1- Pole			x	x	x	x	x	x	x	x	x
2- Pole			x	x	x	x	x	x	x	x	x
3- Pole			165	105	77	257	140	111.7	257	140	111.7
4- Pole				140			185				

① Adjustable Thermal = (0.8-1.0)

② Adjustable Magnetic = (5-10)In

Frame Size EJ (100-250) Amperes

(Fixed , Adjustable Thermal /Adjustable Magnetic)



Product description:

Complying to IEC 60947-2,
Maximum continuous Ampere rating at 55°C
Voltage 240/415V, Frequency 50/60Hz,

Ue Maximum	415V
Icu	25/36/50kA
Ics	25/36/50kA
Ui	800V
Uimp	8kV

Dimensions:	H	W	D	Weight Kgs.
3 Pole	165	105	77	1.5
4 Pole		140		2.0

Marking



EIJ-Frame MCCB 25 kA (Fixed Thermal & Magnetic)

3P	Ref. No.	4P	Ref. No.
EIJ3100F	W605836	EIJ4100F	W605841
EIJ3125F	W605837	EIJ4125F	W605842
EIJ3160F	W605838	EIJ4160F	W605843
EIJ3200F	W605839	EIJ4200F	W605844
EIJ3250F	W605840	EIJ4250F	W605845

EHJ-Frame MCCB 50 kA (Adjustable Thermal & Magnetic)

3P	Ref. No.	4P	Ref. No.
EHJ3100TM	W605866	EHJ4100TM	W605871
EHJ3125TM	W605867	EHJ4125TM	W605872
EHJ3160TM	W605868	EHJ4160TM	W605873
EHJ3200TM	W605869	EHJ4200TM	W605874
EHJ3250TM	W605870	EHJ4250TM	W605875

EIJ-Frame MCCB 25 kA Adjustable Thermal & Magnetic)

3P	Ref. No.	4P	Ref. No.
EIJ3100TM	W605846	EIJ4100TM	W605851
EIJ3125TM	W605847	EIJ4125TM	W605852
EIJ3160TM	W605848	EIJ4160TM	W605853
EIJ3200TM	W605849	EIJ4200TM	W605854
EIJ3250TM	W605850	EIJ4250TM	W605855

EIJY-Frame MCCB (Non-Automatic)

3P	Ref. No.	4P	Ref. No.
EIJY3100	W605876	EIJY4100	W605881
EIJY3125	W605877	EIJY4125	W605882
EIJY3160	W605878	EIJY4160	W605883
EIJY3200	W605879	EIJY4200	W605884
EIJY3250	W605880	EIJY4250	W605885

ESJ-Frame MCCB 36 kA (Adjustable Thermal & Magnetic)

3P	Ref. No.	4P	Ref. No.
ESJ3100TM	W605856	ESJ4100TM	W605861
ESJ3125TM	W605857	ESJ4125TM	W605862
ESJ3160TM	W605858	ESJ4160TM	W605863
ESJ3200TM	W605859	ESJ4200TM	W605864
ESJ3250TM	W605860	ESJ4250TM	W605865

Magnetic Adjustable = (5-10)In Adjustable Thermal = (0.8-1.0)

Frame Size EK (320-400) Amperes

(Fixed , Adjustable Thermal /Adjustable Magnetic)



Product description:

Complying to IEC 60947-2,
Maximum continuous Ampere rating at 55°C
Voltage 240/415V, Frequency 50/60Hz,

Ue Maximum	415V
I _{cu}	36/50kA
I _{cs}	36/50kA
Ui	1000V
Uimp	12kV

Dimensions:	H	W	D	Weight Kgs.
3 Pole	257	140	111.7	5.7
4 Pole		185		7.5

Marking



ESK - Frame MCCB 36kA
(Fixed Thermal & Magnetic)

3P	Ref. No.	4P	Ref. No.
ESK3320F	W605886	ESK4320F	W605888
ESK3400F	W605887	ESK4400F	W605889

EHK - Frame MCCB 50kA
(Adjustable Thermal & Magnetic)

3P	Ref. No.	4P	Ref. No.
EHK3320TM	W605894	EHK4320TM	W605896
EHK3400TM	W605895	EHK4400TM	W605897

ESK - Frame MCCB 36kA
(Adjustable Thermal & Magnetic)

3P	Ref. No.	4P	Ref. No.
ESK3320TM	W605890	ESK4320TM	W605892
ESK3400TM	W605891	ESK4400TM	W605893

ESKY - Frame MCCB
(Non-Automatic)

3P	Ref. No.	4P	Ref. No.
ESKY3320	W605898	ESKY4320	W605900
ESKY3400	W605899	ESKY4400	W605901

Magnetic Adjustable = (5-10)In

Adjustable Thermal = (0.8-1.0)

Frame Size EK (500-630) Amperes

(Fixed , Adjustable Thermal /Adjustable Magnetic)



Product description:

Complying to IEC 60947-2,
Maximum continuous Ampere rating at 55°C
Voltage 240/415V, Frequency 50/60Hz,

Ue Maximum	415V
I _{cu}	36/50kA
I _{cs}	36/50kA
Ui	1000V
Uimp	12kV

Dimensions:	H	W	D	Weight Kgs.
3 Pole	257	140	111.7	5.7
4 Pole		185		7.5

Marking



ESK - Frame MCCB 36kA
(Fixed Thermal & Magnetic)

3P	Ref. No.	4P	Ref. No.
ESK3500F	W605902	ESK4500F	W605904
ESK3630F	W605903	ESK4630F	W605905

EHK - Frame MCCB 50kA
(Adjustable Thermal & Magnetic)

3P	Ref. No.	4P	Ref. No.
EHK3500TM	W605910	EHK4500TM	W605912
EHK3630TM	W605911	EHK4630TM	W605913

ESK - Frame MCCB 36kA
(Adjustable Thermal & Magnetic)

3P	Ref. No.	4P	Ref. No.
ESK3500TM	W605906	ESK4500TM	W605908
ESK3630TM	W605907	ESK4630TM	W605909

EHK - Frame MCCB 50kA
(Electronic Adjustable)

3P	Ref. No.	4P	Ref. No.
EHK3500E	W607454	EHK4500E	W610440
EHK3630E	W607455	EHK4630E	W610441

ESK - Frame MCCB 36kA
(Electronic Adjustable)

3P	Ref. No.	4P	Ref. No.
ESK3500E	W607452	ESK4500E	W610438
ESK3630E	W607453	ESK4630E	W610439

ESKY - Frame MCCB
(Non-Automatic)

3P	Ref. No.	4P	Ref. No.
ESKY3500	W605914	ESKY4500	W605916
ESKY3630	W605915	ESKY4630	W605917

Magnetic Adjustable = (5-10)In

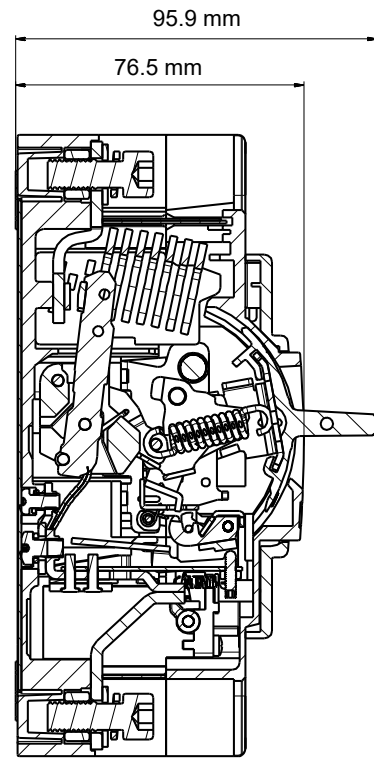
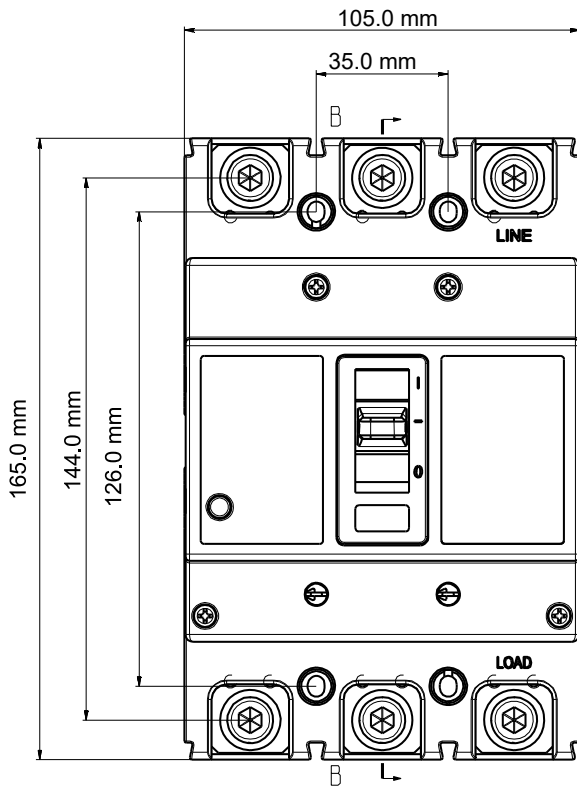
Adjustable Thermal = (0.8-1.0)

Frame Size EJ (100-250) Amperes

Drawing

2

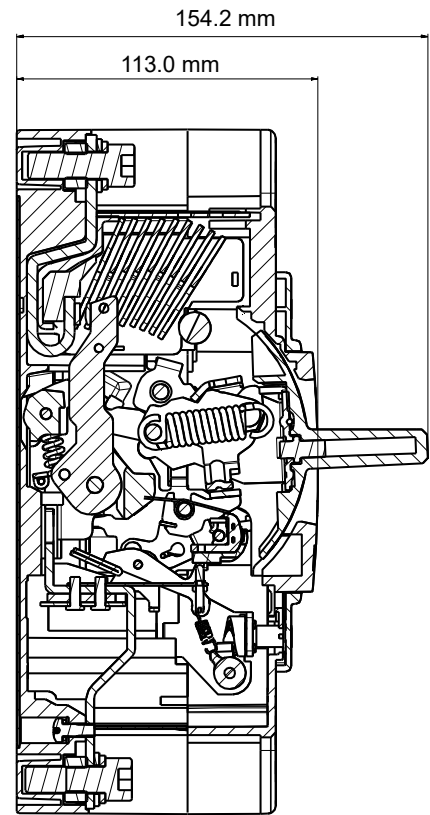
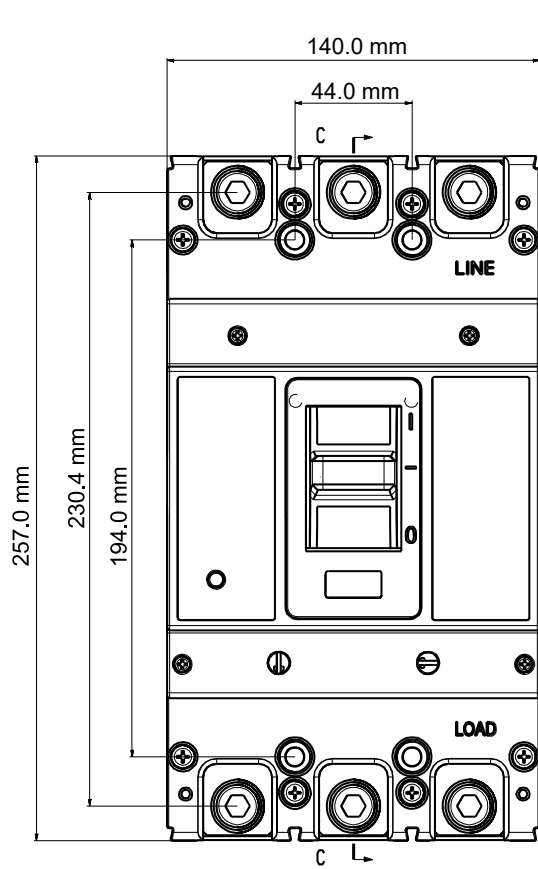
Moulded Case Circuit Breakers



SECTION B-B

Frame Size EK (320-400) Amperes

Drawing



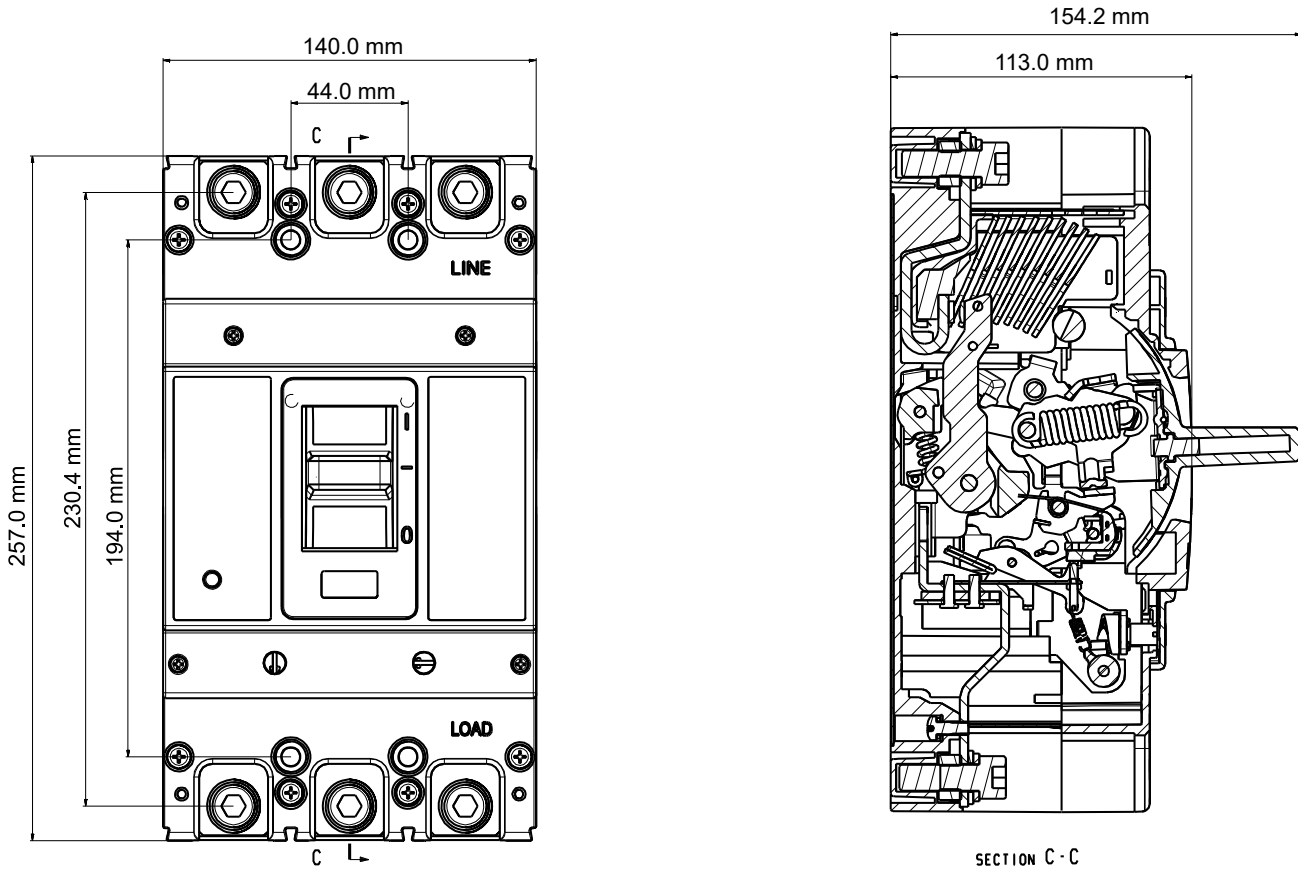
SECTION C-C

Frame Size EK (500-630) Amperes

Drawing

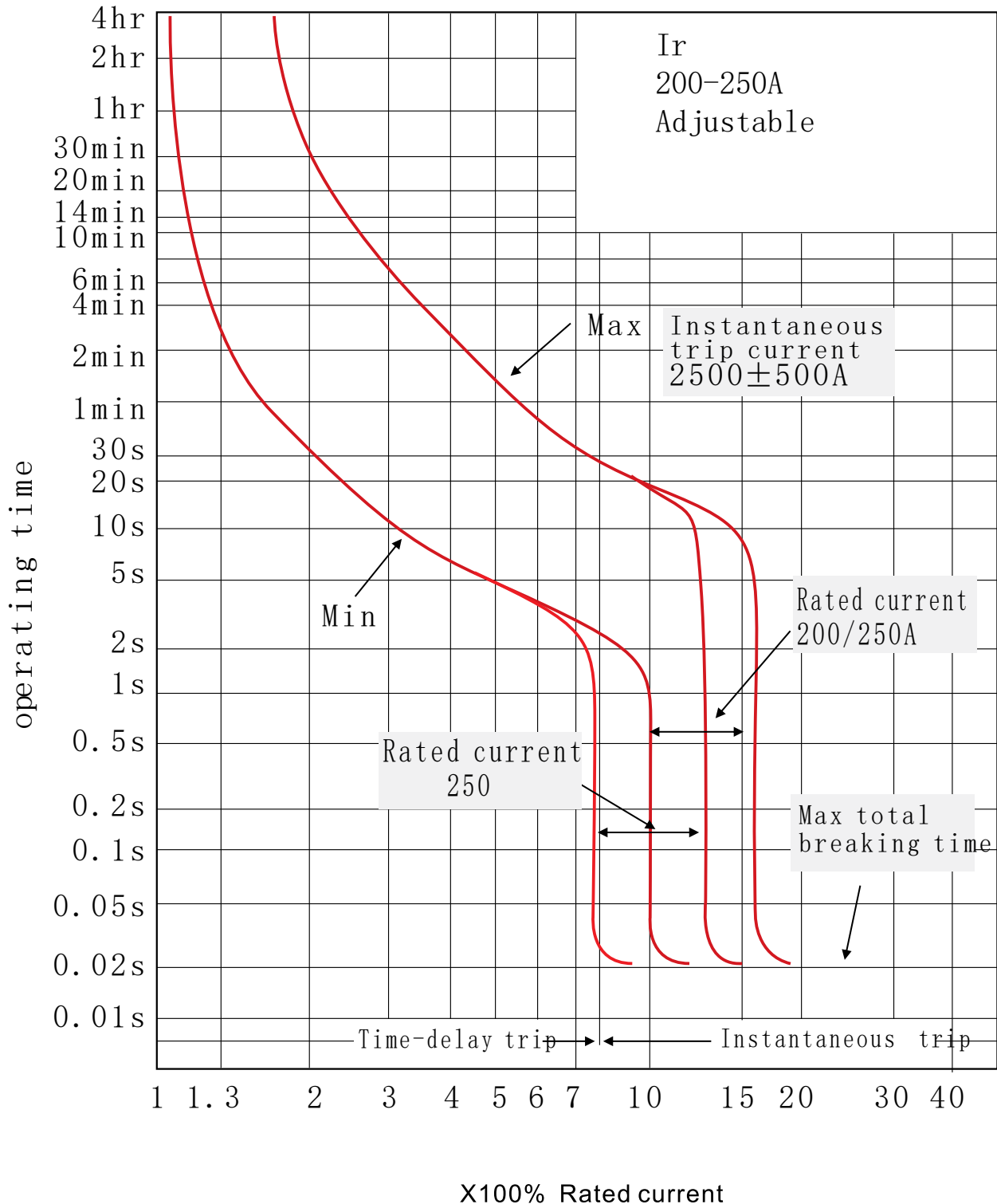
2

Moulded Case Circuit Breakers



Time Current Curve

ESJ, EHJ MOLDED CASE CIRCUIT BREAKERS 200-250A (55°C)

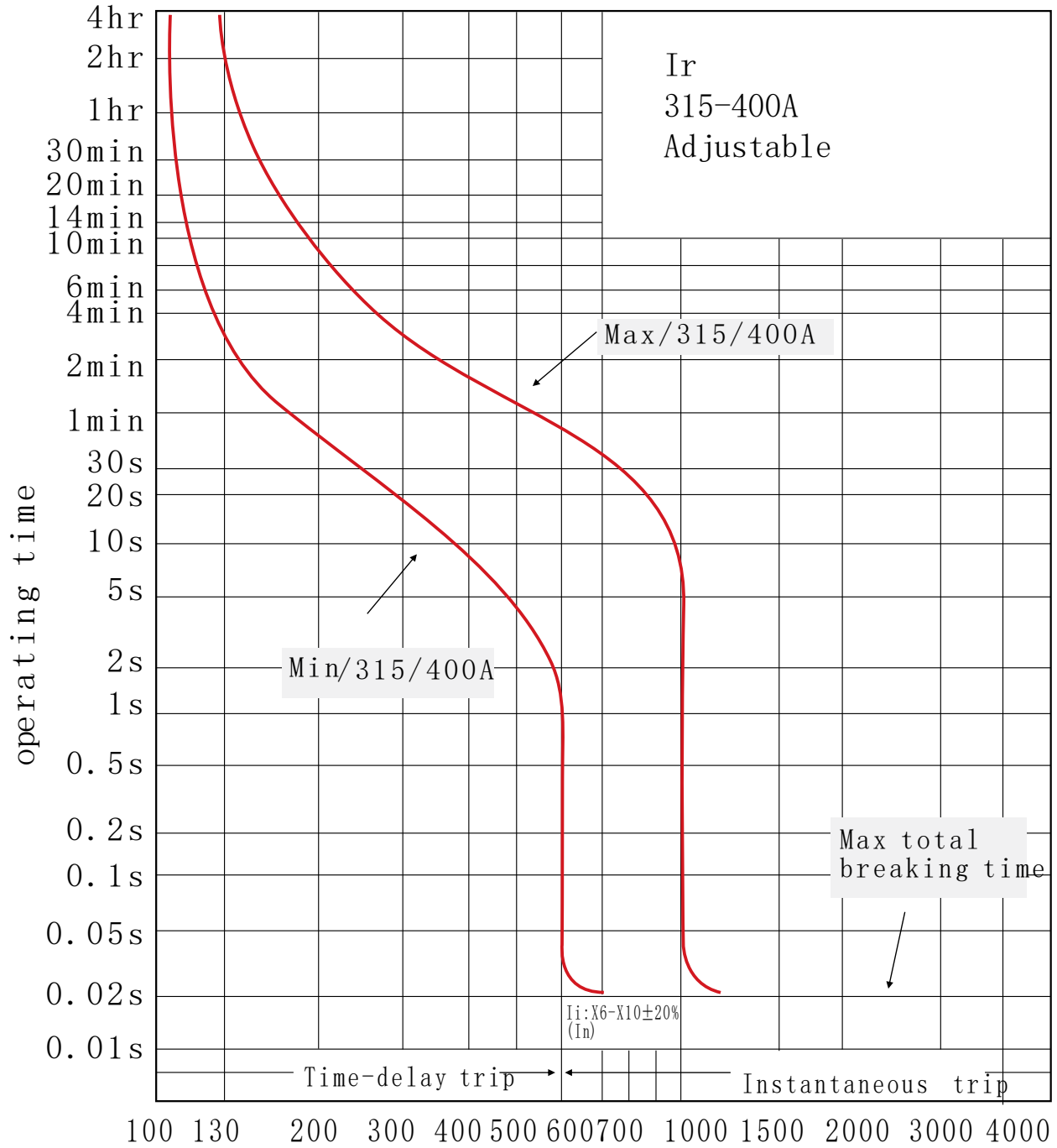


Time Current Curve

ESK,EHK MOLDED CASE CIRCUIT BREAKERS 315-400A (55°C)

2

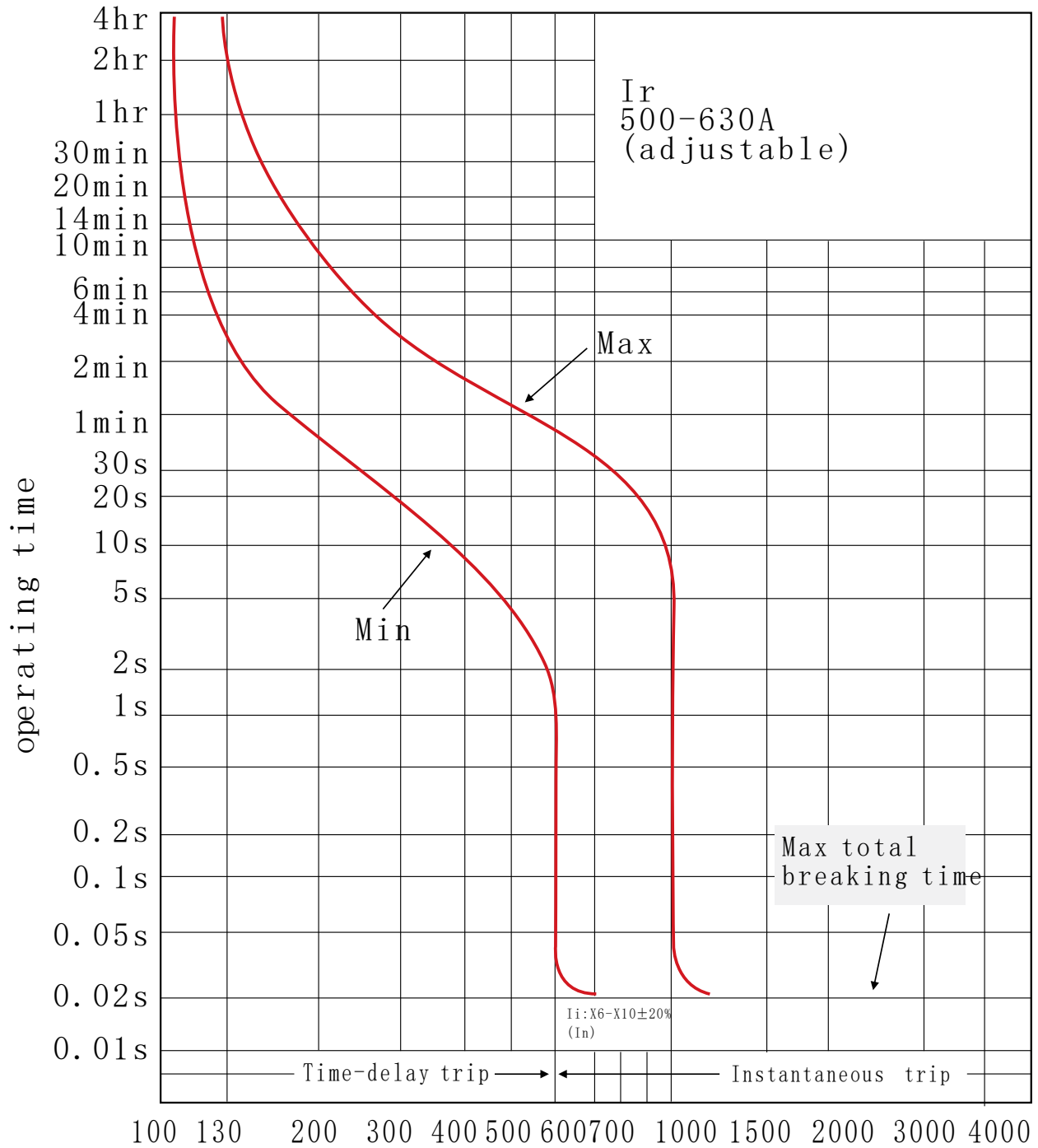
Moulded Case Circuit Breakers



X100% Rated current

Time Current Curve

ESK,EHK MOLDED CASE CIRCUIT BREAKERS 500-630A (55°C)



X100% Rated current



Worldwide



OUR PROMISE

Westinghouse is built upon a tradition of dependability and innovation.

Today, we strive to make everyday life a little better by offering a wide range of quality products and services you can trust.



WHY WESTINGHOUSE ?

Since 1886, Westinghouse has brought the best to life. Today, Westinghouse Electric Corporation remains a trusted name globally in consumer and industrial products. Built on a heritage of innovation and entrepreneurial spirit. Today, Westinghouse continues to grow its diverse portfolio, which includes a wide range of product categories, including home appliances, consumer electronics, power generation, Transmission & distribution and lighting.





Westinghouse Commitment

Since 1886, Westinghouse has brought the best to life. Today, our legacy lives on with technology that is transforming the human experience, from smart appliances for the home to energy solutions that are cleanly and safely powering us into the next generation.

We build dependable, affordable products that help people lead richer, fuller lives, whether it's a TV that connects them to their world or simply a pouch light that welcomes them home on a cold winter's night.

For more than 130 years, people have counted on Westinghouse to always be there for them. You can be sure that's where we'll stay.



Leading The Future of Electrification



www.westinghouselvmv.com

Email: info@westinghouselvmv.com

